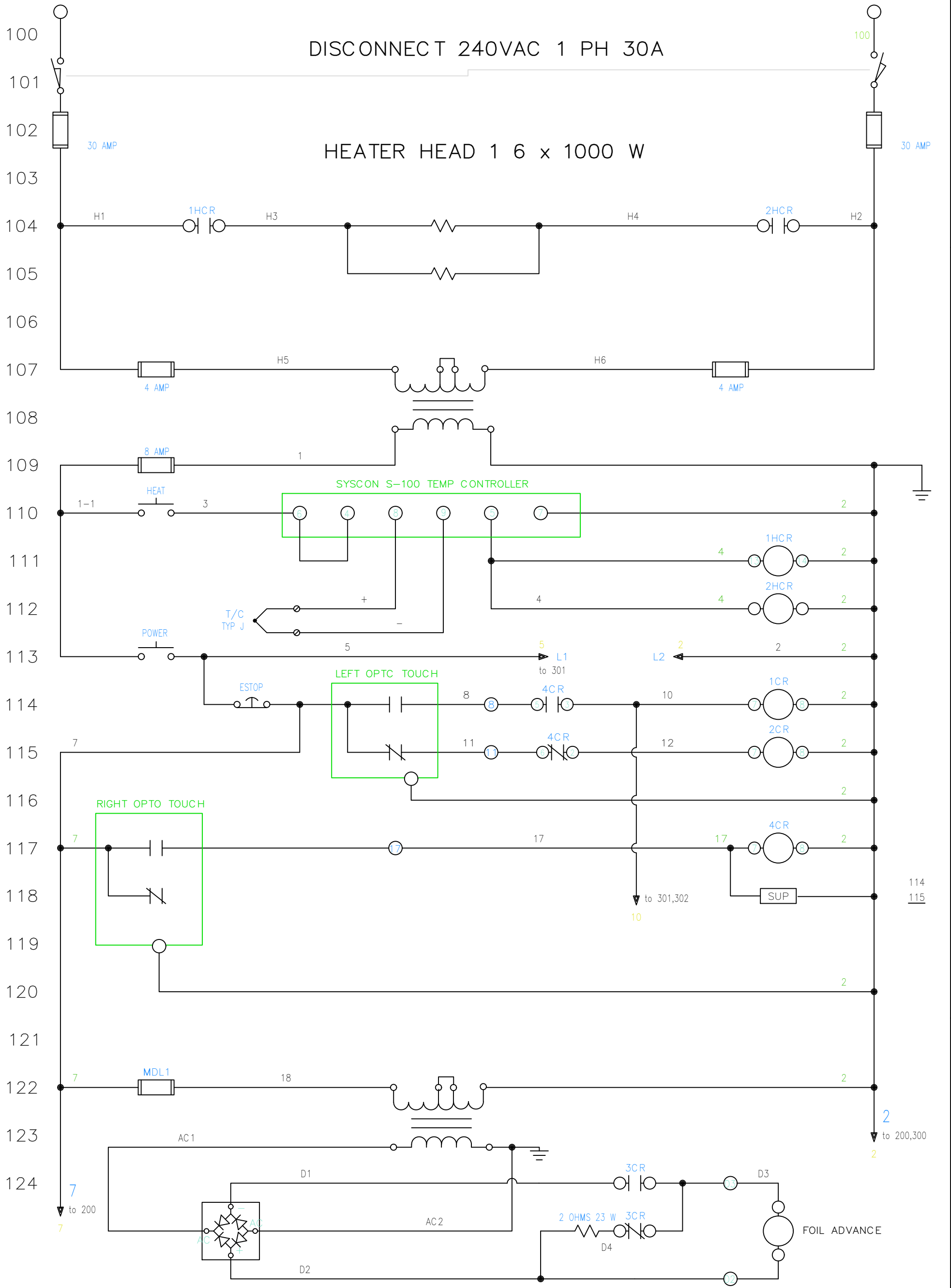


REV	DATE	CHANGE	TR NO.	REV BY.

REVERSE ENGINEERED AND DRAWN BY AFM ENGINEERING, INC.



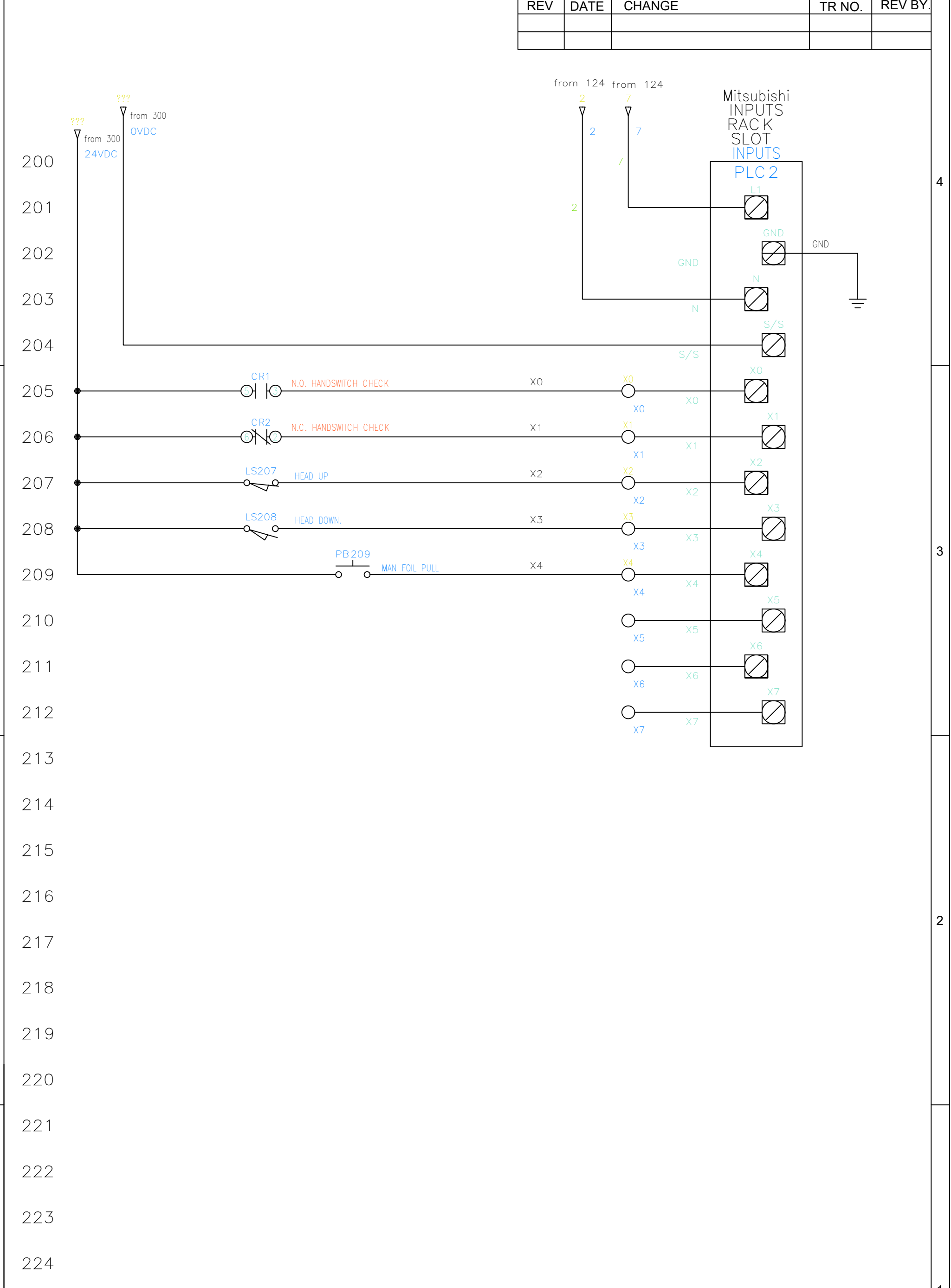
S:\AFMMACHINES\46000 RETORFIT HOT STAMP ACROMARK\ACROMARK_CONTROL_BOX\100.DWG

AFM ENGINEERING, INC.
 1313 E. Borchard Ave
 Santa Ana, CA 92705

TITLE: **ACROMARK**
HOT STAMP CONTROL BOX
 DRAWING NO. SHEET 3 OF 3

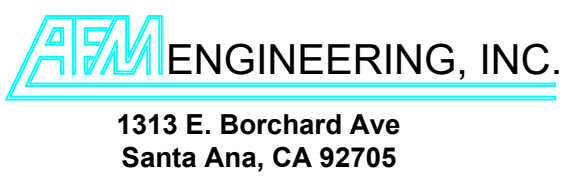
DESIGNED BY C.S.I. 3/3/2022
 DRAWN BY C.S.I. 3/3/2022
 CHECKED BY C.S.I. 3/3/2022
 APPROVED BY C.S.I. 3/3/2022

REV	DATE	CHANGE	TR NO.	REV BY.



REVERSE ENGINEERED AND DRAWN BY AFM ENGINEERING, INC.

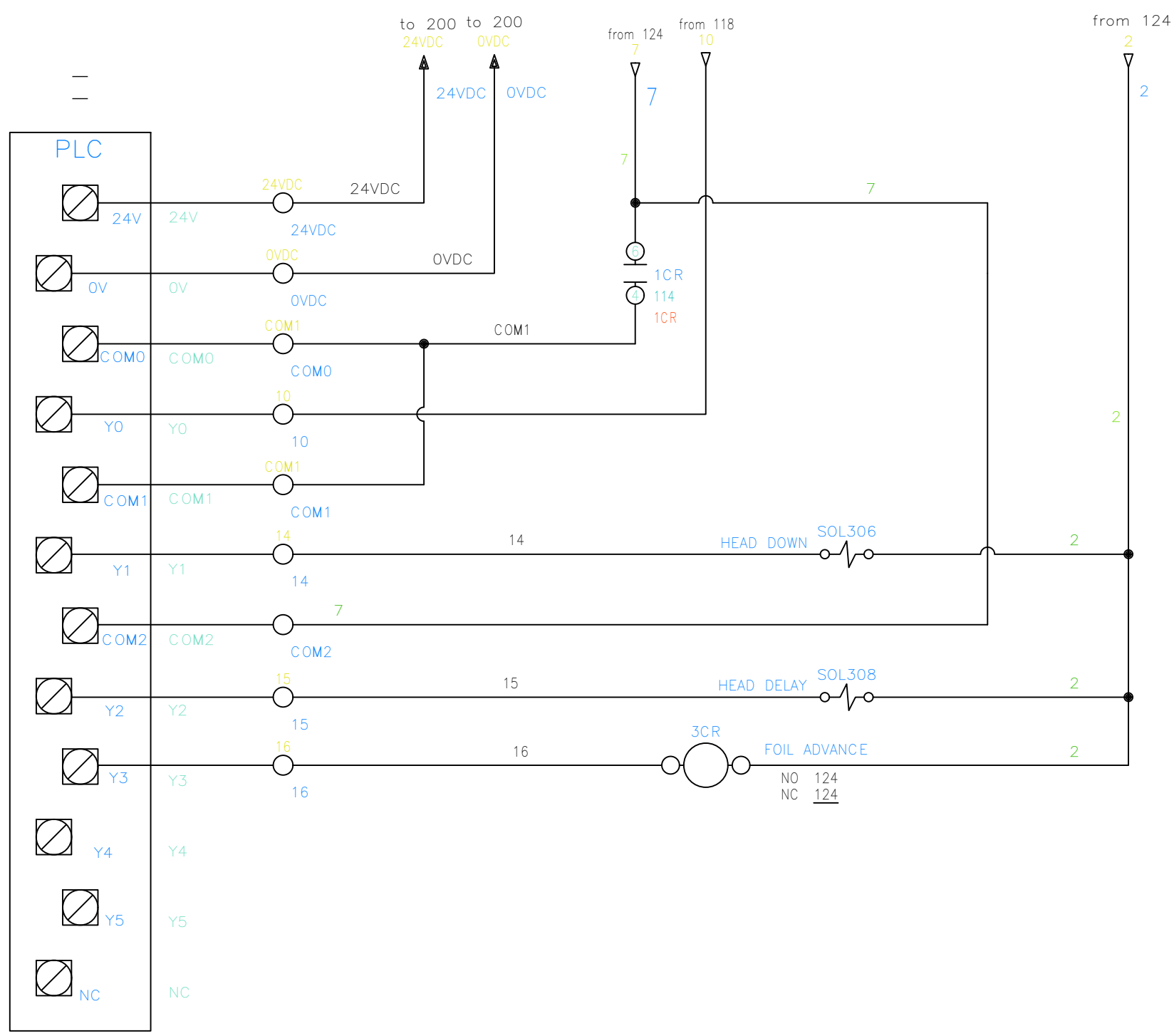
S:\AFMMACHINES\46000 RETORFIT HOT STAMP ACROMARK\ACROMARK_CONTROL_BOX\200.DWG



TITLE: ACROMARK
HOT STAMP CONTROL BOX
DRAWING NO. SHEET 2 OF 3

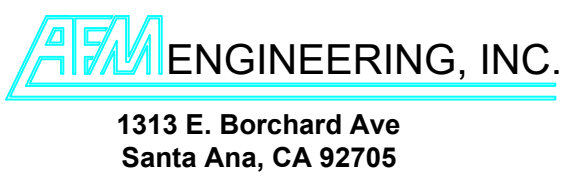
DESIGNED BY C.S.I. 3/3/2022
DRAWN BY C.S.I. 3/3/2022
CHECKED BY C.S.I. 3/3/2022
APPROVED BY C.S.I. 3/3/2022

REV	DATE	CHANGE	TR NO.	REV BY.



REVERSE ENGINEERED AND DRAWN BY AFM ENGINEERING, INC.

S:\AFMMACHINES\46000 RETORFIT HOT STAMP ACROMARK\ACROMARK_CONTROL_BOX\300.DWG



TITLE	ACROMARK
	HOT STAMP CONTROL BOX
DRAWING NO.	SHEET 1 OF 3

DESIGNED BY	C.S.I.	3/3/2022
DRAWN BY	C.S.I.	3/3/2022
CHECKED BY	C.S.I.	3/3/2022
APPROVED BY	C.S.I.	3/3/2022